

MINI VEHICLE PLANS

P.O. BOX 687 CHAZY, N.Y. 12921

GO-KART LIST OF MATERIALS

PIECE No	DESCRIPTION	NUMBER OF PIECES	TOTAL PRICE
1	SIDE RAILS	2	\$15.95
2	REAR AXLE TUBE		
3	REAR AXLE	1	9.50
3A	BRAKE ARRESTING PLATE		
4	FRONT AXLE COMPLETE	1	11.35
5	BEARING PLATE FOR STEERING SHAFT		
4A	WELDED AT ASSEMBLY CROSS PIECE OF FRAME	1	1.00
6	BRAKE OPERATING SHAFT	1	10.80
7	BRAKE LEVER	3	8.90
8	BRAKE LINKAGE	1 SET	9.70
9	STEERING WHEEL ACRYLIC	1	14.25
10	STEERING SHAFT	1	6.85
10A	STEERING SHAFT BEARINGS	2	5.60
11	STEERING ROD	1	8.40
11A	TIE ROD & CLEVISSES	1	13.00
12	BRAKE ROD AND GAS CONTROL ROD	2	14.00
13	LEFT PEDAL	1	2.25
14	RIGHT PEDAL	1	2.25
15	RIGHT HAND AXLE COMPLETE	1	6.00
16	LEFT HAND AXLE COMPLETE	1	6.00
17	COWLING	1	5.00
18	METAL SEAT UPHOLSTERED COMPLETE	1	39.00
19	FLOOR PAN	1	3.75
20	MOTOR MOUNT	1	8.30
21	REAR WHEEL COMPLETE 4.10 x 3.50 x 5" TIRE WITH SPROCKET AND BRAKE ASSEMBLY		
22	TOTAL DIAMETER OF WHEEL 12"	1	96.50
23	REAR WHEEL COMPLETE 4.10 x 3.50 x 5" TIRE WITH BRAKE ASSEMBLY DIA. OF WHEEL 12"	1	69.45
24	FRONT WHEEL COMPLETE 4.10 x 3.50 x 5" TIRE BALL BEARING MOUNTED TOTAL DIA. OF WHEEL 12" 2Req'd AUTOMATIC CLUTCH (GIVE DIA. OF MOTOR SHAFT) 3/4 DIA SHAFT ONLY.	1	70.30
25	DRIVING CHAIN	1	39.90
26	5/8 COLLARS FOR STEERING SHAFT REAR AND FRONT WHEEL	8	9.00
27	5/16 x 1 1/4 cap SCREWS FOR BEARINGS PEDALS AND STEERING RODS	10	14.00
28	5/16 x 1 CAP SCREWS	4	2.90
29	FRONT AXLE CAP SCREWS 1/2 x 4 1/2"	4	1.15
30	U BOLTS FOR MOTOR MOUNT 5/16 x 3 3/4	2	1.25
31	U BOLT FOR MOTOR MOUNT 5/16 x 4 3/4	2	2.70
		1	1.35
			<u>\$510.75</u>

INSTRUCTIONS

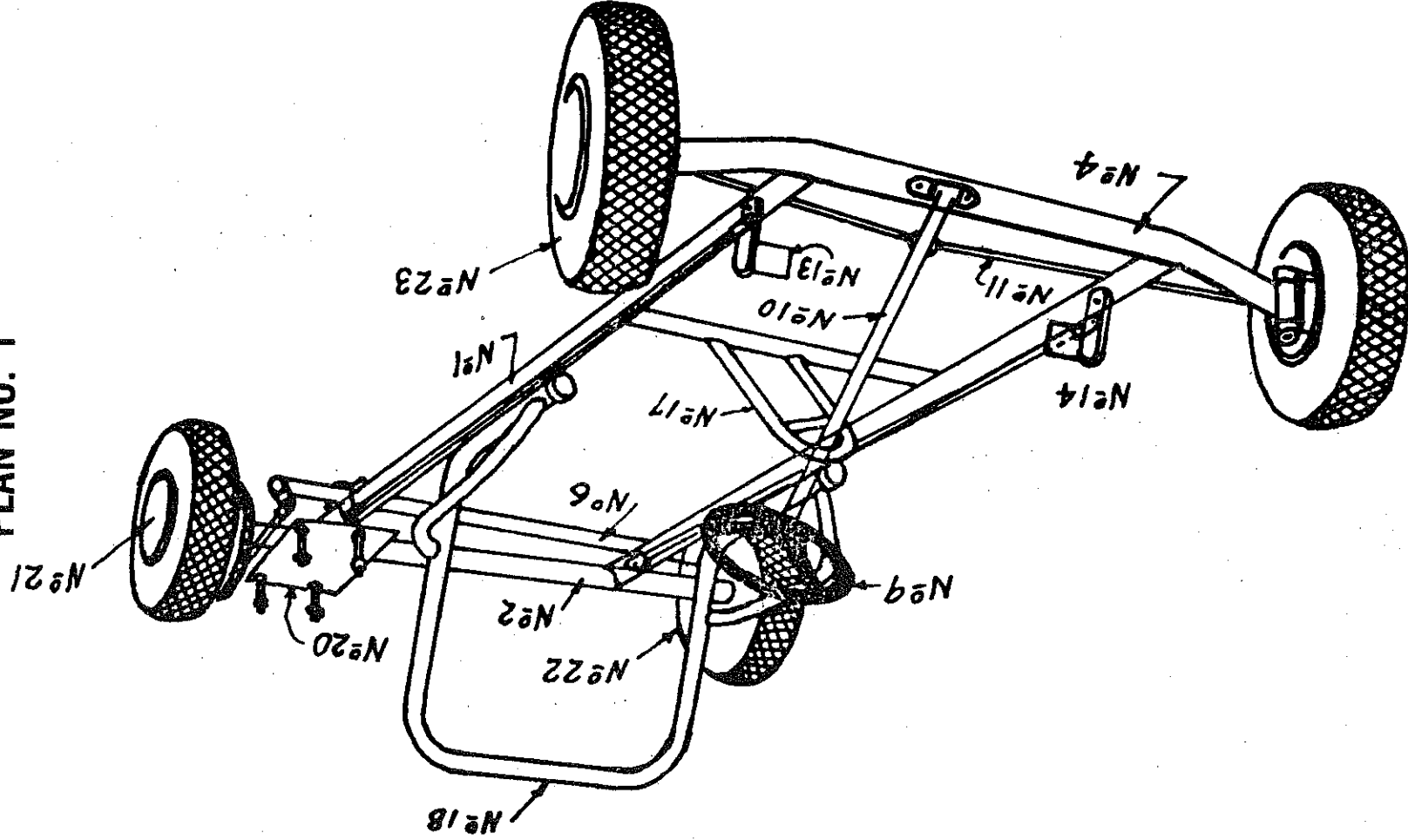
FOR TWIN MOTOR DRIVE ORDER TWO NO 21 WHEELS AND CANCEL No22

BUILDING A GO-KART BECOMES AN EASY TASK IF YOU MAKE A WOODEN FRAME TO HOLD PIECES No1, 2, 4, AND 4A TOGETHER WHEN WELDING TO LINE UP THESE PIECES FIRST SLIDE BRAKE OPERATING SHAFT IN ITS PLACE AND TIGHTEN ALL PIECES TO WOODEN FRAME WITH WIRE OR CLAMPS, AND WELD. THIS BEING DONE ASSEMBLE FRONT AXLE AND WHEELS, BEFORE PUTTING UP BACK WHEELS, FIRST SLIP ONE COLLAR ON LEFT AND RIGHT REAR AXLES, ALSO PARTS No7 IN PROPER PLACE ON SHAFT No6 THEN TIGHTEN SET SCREWS AND ASSEMBLE PARTS No7 AND 8 WITH BOLTS, THEN SLIP BACK WHEELS ON REAR AXLES AND SCREW ON COLLARS, BOLT ON BRAKE ROD TO BRAKE ARRESTING PLATE, THEN WELD PARTS No13A, AND BOLT ON THE PEDALS. NOW IS THE TIME TO WELD PART No17 TO CROSS PIECE No4A AT 35 degrees WITH THE FRAME, THEN BOLT No10A, AND SLIDE STEERING SHAFT IN ITS PLACE AND TIGHTEN ONE COLLAR EACH SIDE OF THE UPPER BEARING, NOW FIX THE STEERING WHEEL AND SEAT IN THEIR PROPER PLACES. ASSEMBLE STEERING RODS AND TIE ROD ENDS. THEN FIX MOTOR MOUNT No20, ADJUST CHAIN, BOLT BRAKE ROD AND GAS CONTROL ROD, THEN YOU ARE READY TO GO.

MINI VEHICULE PLANS

P.O. BOX 687 CHAZY, N.Y. 12921

GO-KART PLAN NO. 1

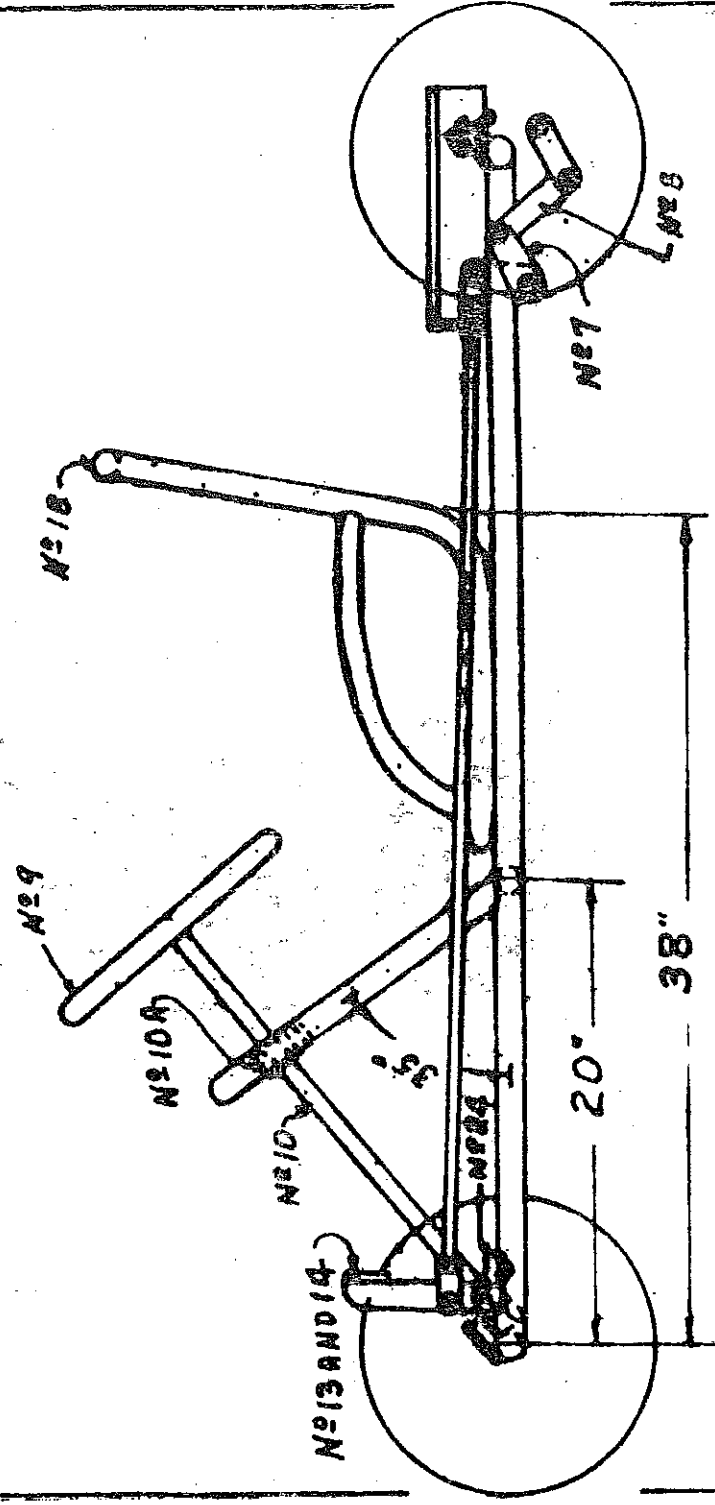
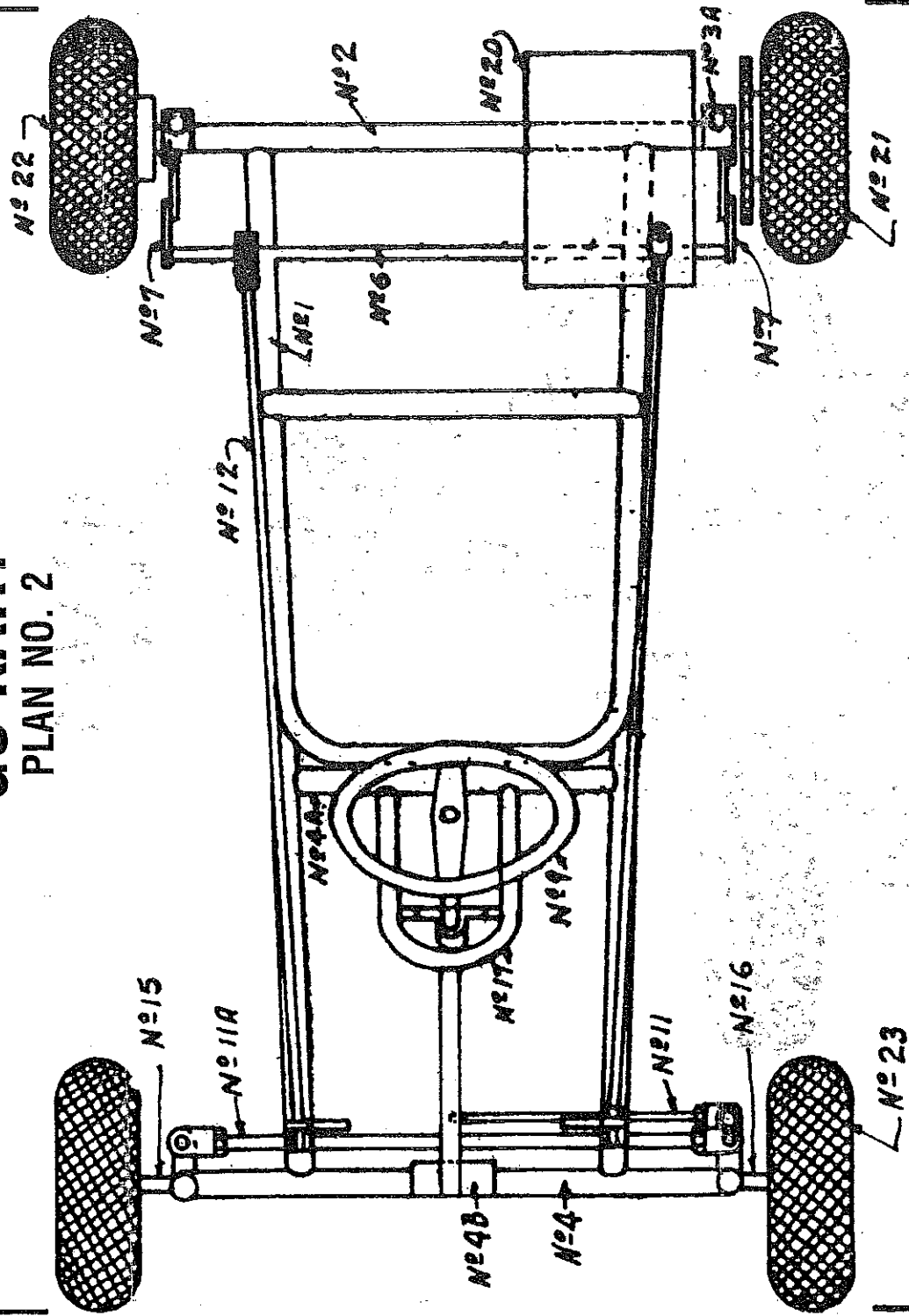


MINI VEHICLE PLANS

P.O. BOX 687 CHAZY, N.Y. 12921

GO-KART

PLAN NO. 2

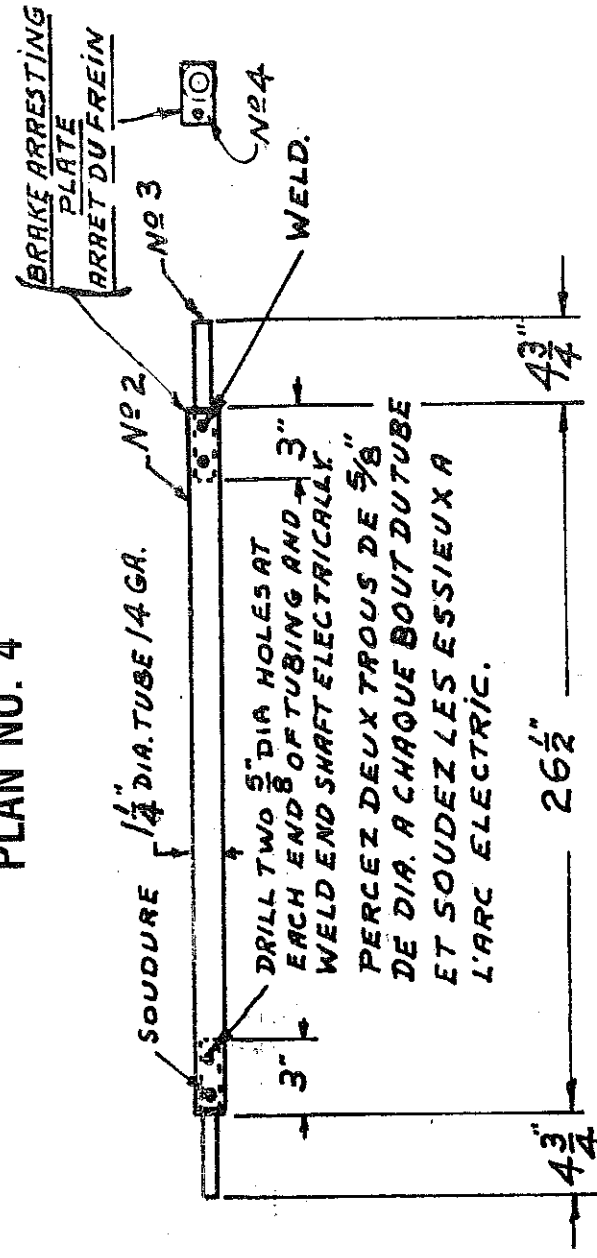


MINI VEHICLE PLANS

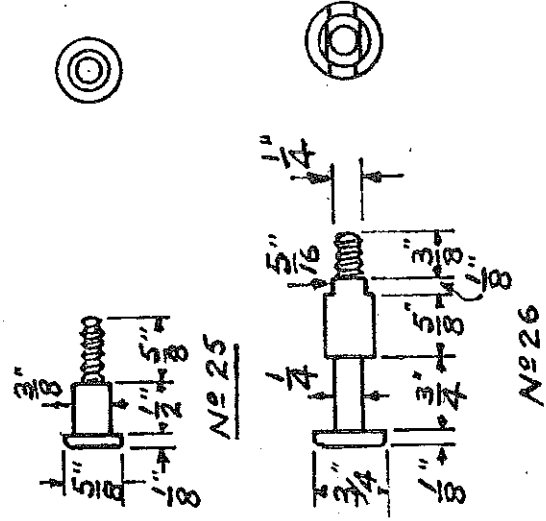
P.O. BOX 687 CHAZY, N.Y. 12921

GO-KART

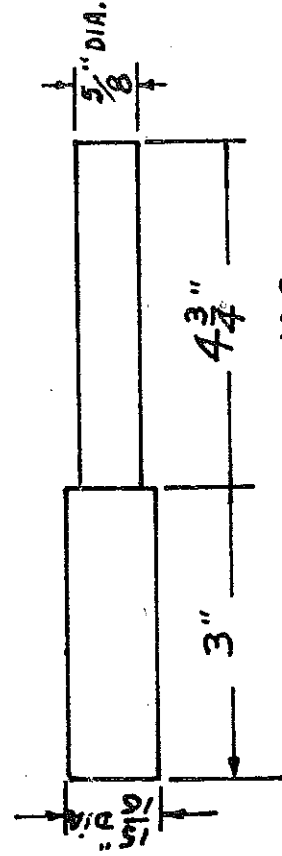
PLAN NO. 4



ESSIEU ARRIERE
REAR AXLE

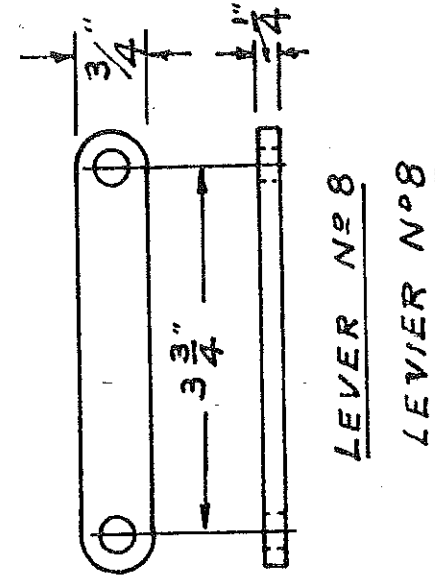
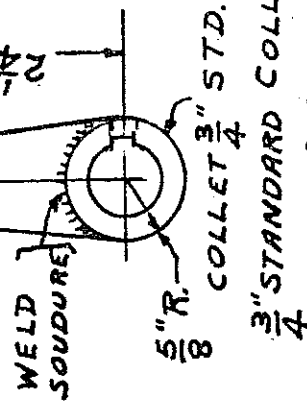
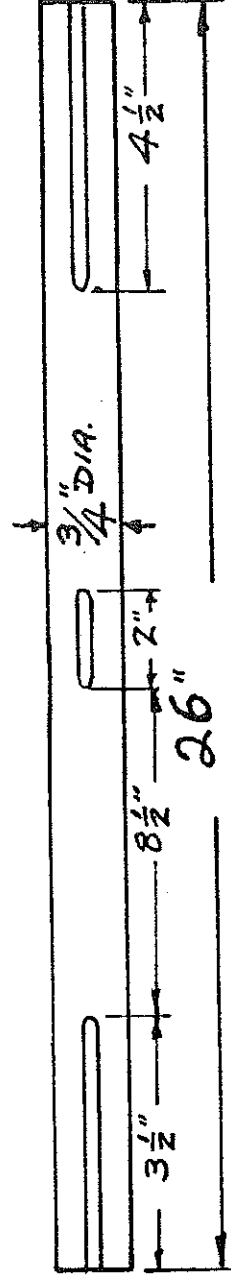


END SHAFT N°3
ARBRE DE L'ESSIEU N°3



BRAKE OPERATING SHAFT N°6

ARBRE DE COMMANDE DE FREIN N°6

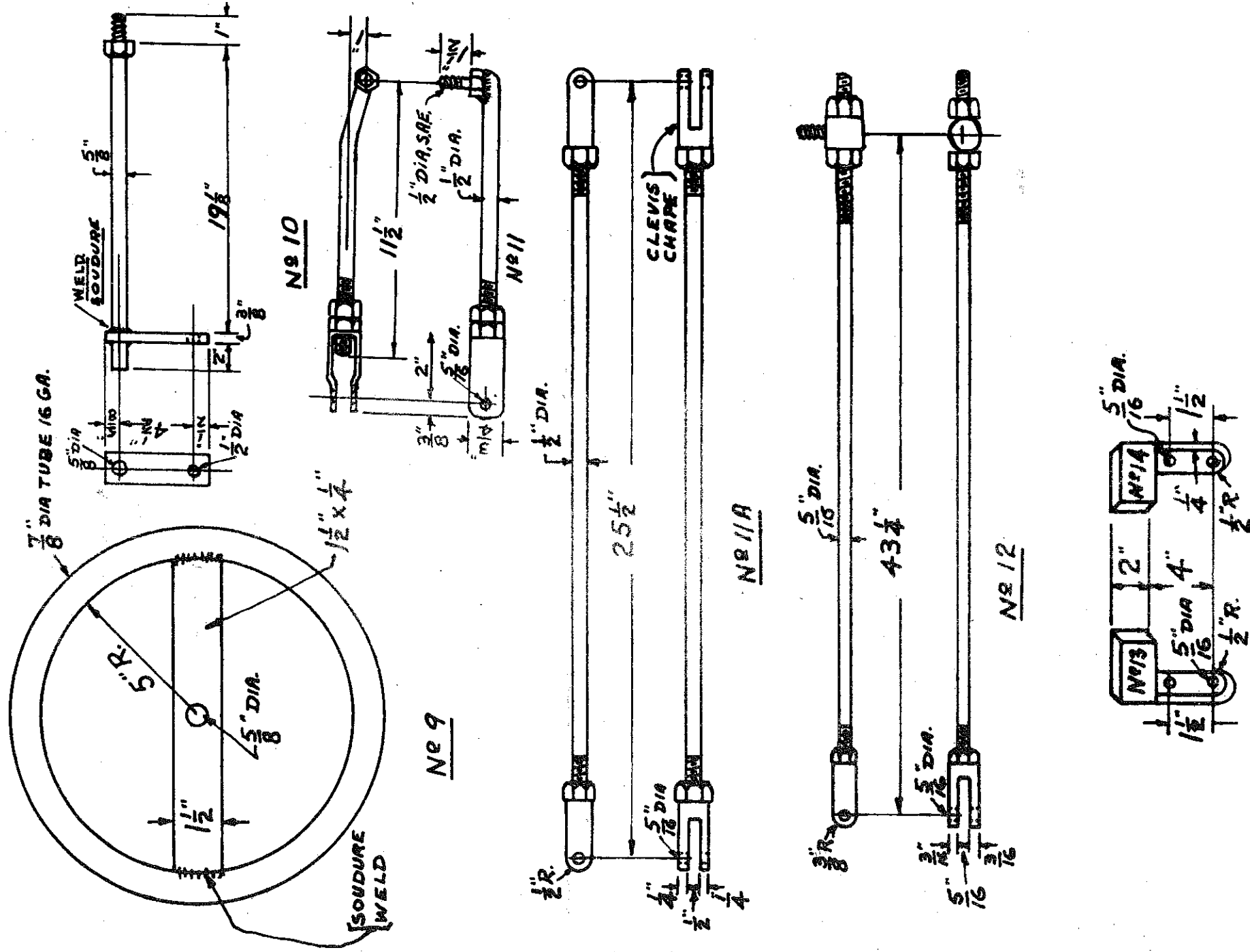


5/16 SET SCREW

MINI VEHICLE PLANS

P.O. BOX 687 CHAZY, N.Y. 12921

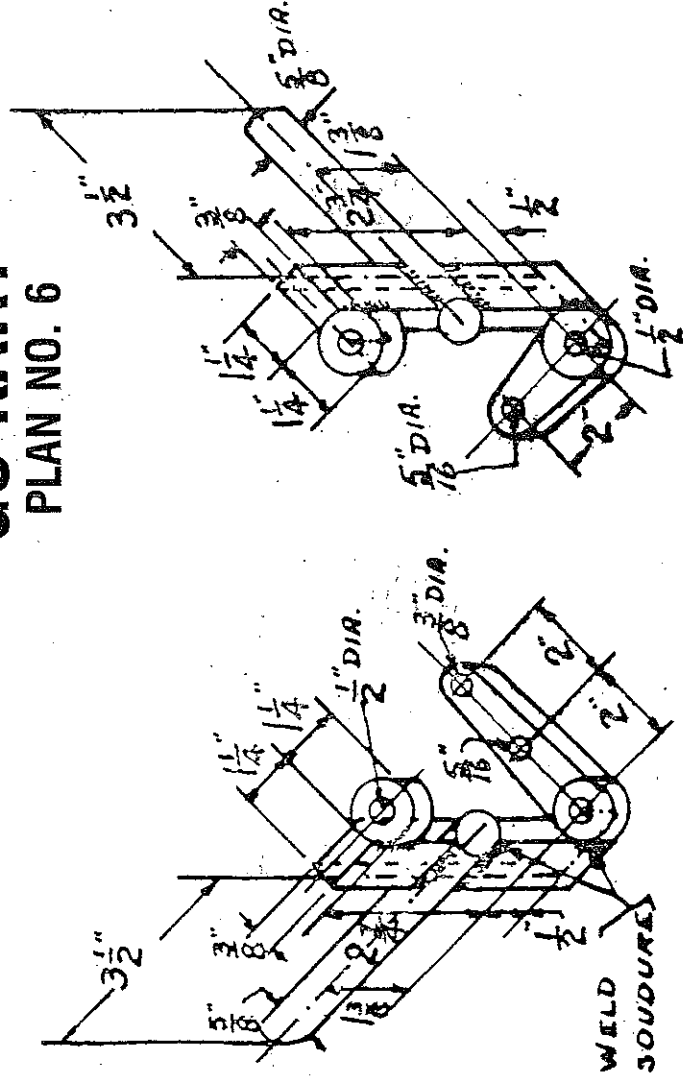
GO-KART PLAN NO. 5



MINI VEHICULE PLANS

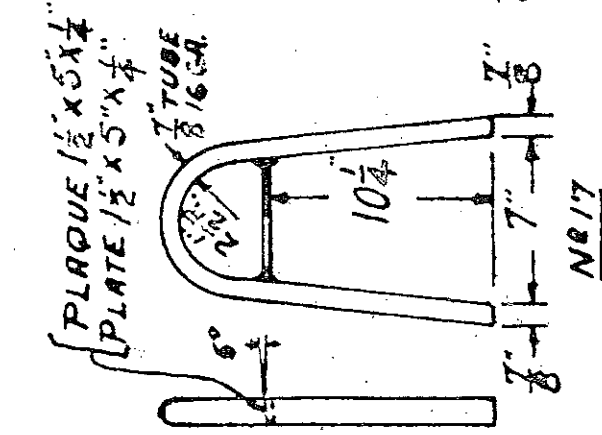
P.O. BOX 687 CHAZY, N.Y. 12921

GO-KART PLAN NO. 6

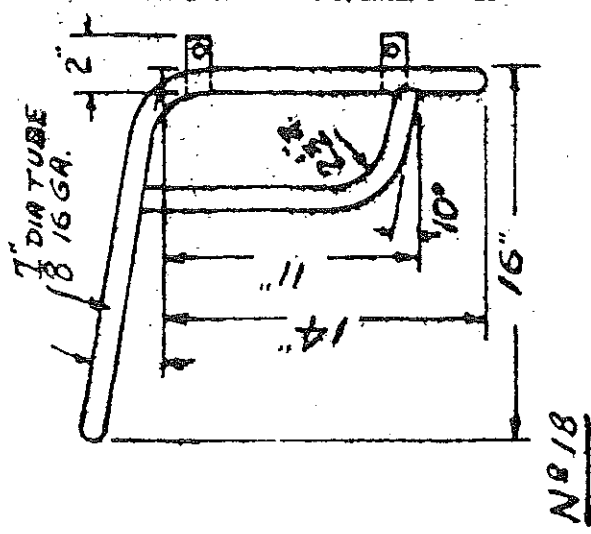
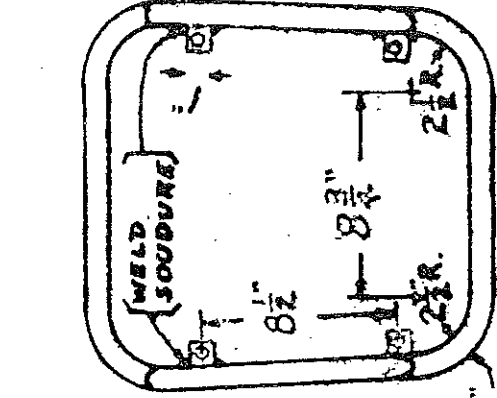


№ 15

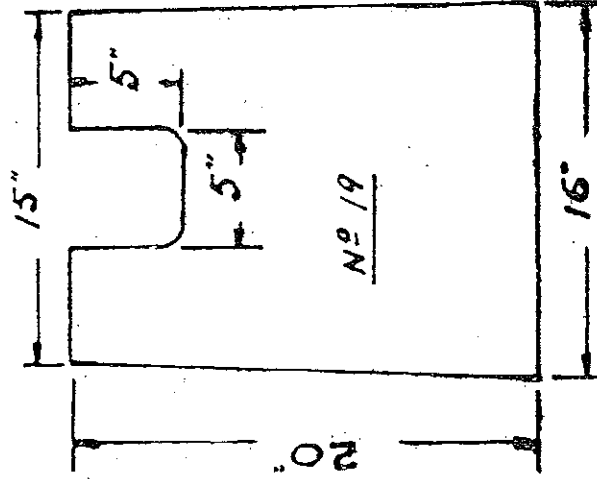
№ 16



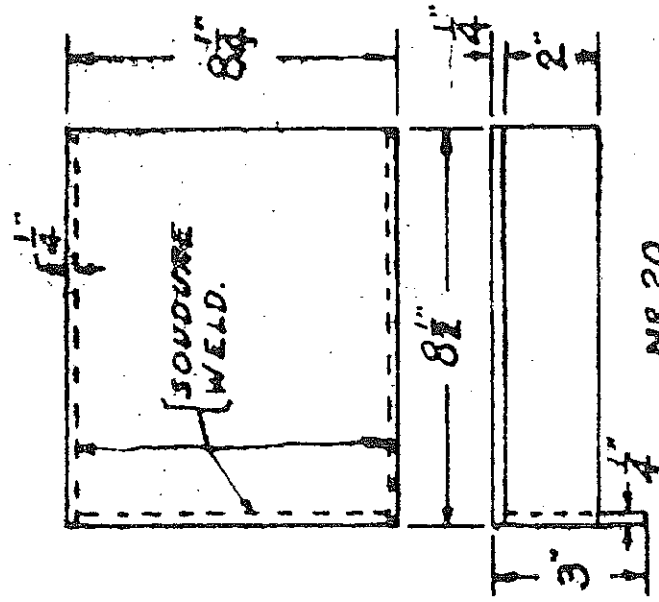
№ 17



№ 18



№ 19



№ 20