

POWER PRODUCTS MOTOR CO.
1223 BORG AVE. TEMPERANCE, MI 48182

MINI-BIKE

LIST OF MATERIAL

PART No	DESCRIPTION	NUMBER OF PARTS	PRICE
1	TUBULAR FRAME	2	17.00
2	FORK HANDLES	2	4.80
3	FORK COLLARS	2	5.55
4	FORK ASSEMBLING PLATES	2	5.60
5	REAR AXLE SUPPORTS	2	5.40
6	REAR SEAT MOUNTING TUBE	1	.95
7	FORK TUBE SUPPORT	1	4.50
8	FOOT REST	1	.85
9	FRONT SEAT MOUNTING TUBE	1	.80
10	MOTOR MOUNTING PLATE	1	5.00
11	FRONT WHEEL COMPLETE WITH AXLE AND NUTS, 4.10 x 3.50 x 5" TIRE AND TUBE TOTAL DIAMETER OF WHEEL 12 INCHES	1	40.00
12	REAR WHEEL COMPLETE WITH AXLE AND NUTS, SPROCKET BRAKE SHOE AND MECHANISM 4.10 x 3.50 x 5" TIRE AND TUBE TOTAL DIAMETER OF WHEEL 12 INCHES	1	102.86
13	SEAT UPHOLSTERED	1 set	8.80
14	FORK BOLT	1	1.80
15	THROTTLE HANDLE AND CABLE	1	8.62
16	BRAKE HANDLE AND CABLE	1	8.62
17	DRIVING CHAIN	1	10.50
18	AUTOMATIC CLUTCH' FOR 3/4" Dia. MOTOR SHAFT, ONLY	1	39.90
			<hr/> 271.55

INSTRUCTION

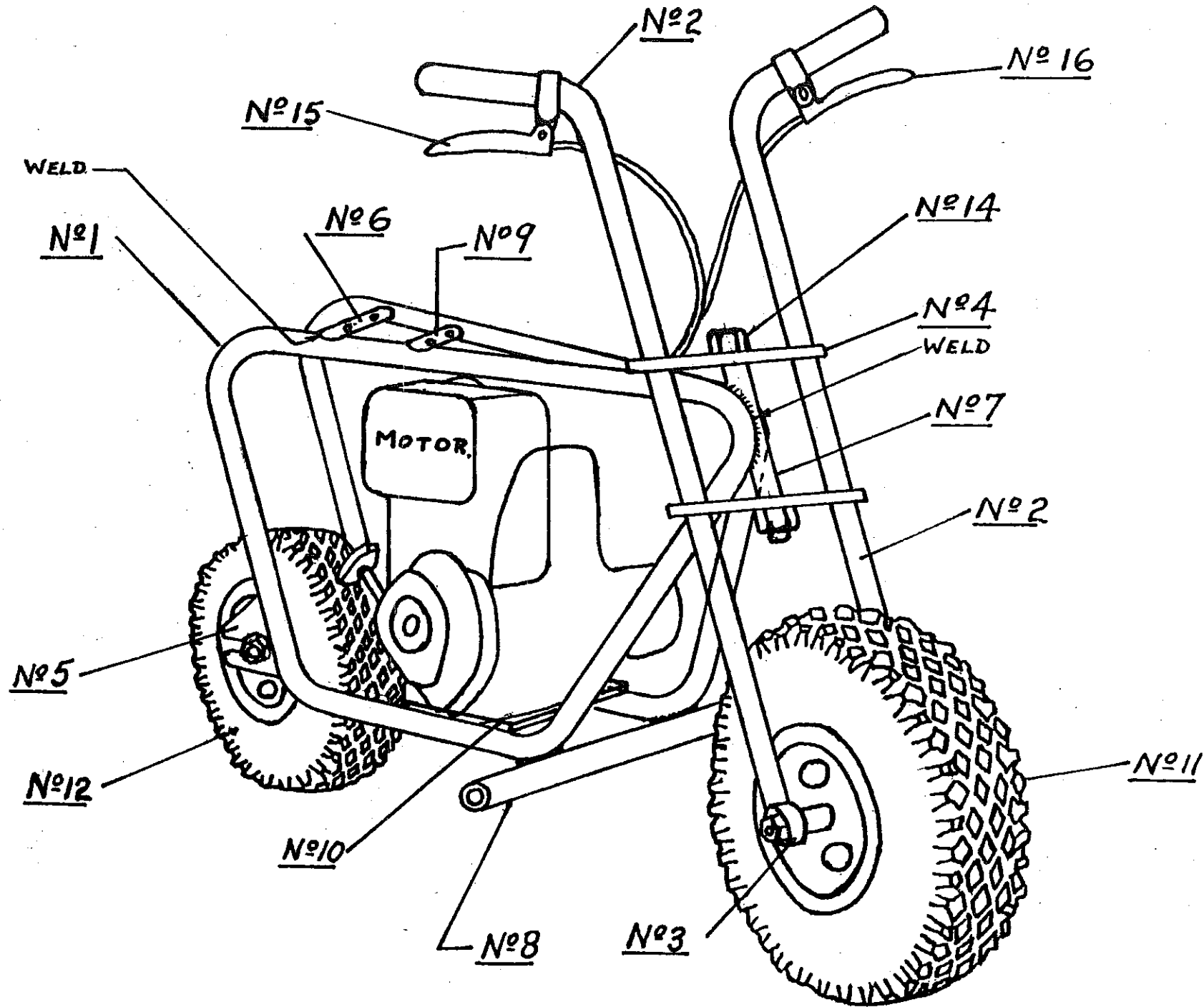
THE FIRST OPERATION IS TO WELD FRAME PART No 1 TO PART No5 FLAT ON A TABLE IN SUCH A MANNER TO HAVE ONE LEFT AND ONE RIGHT FRAME. THEN MAKE A WOODEN FRAME TO HOLD PARTS No1, 6, 7, 8, 9, AND 10 TOGETHER BY MEANS OF CLAMPS THEN WELD WHERE NEEDED, BOLT PART No4 TO PART No7 AND SLIP HANDLES No2 IN PLACE, LINE THEM UP IN DESIRED POSITION AND WELD, THEN USE WHEEL AND AXLE No11 TO LINE UP PART No3 AND WELD IN PLACE.

BOLT REAR WHEEL IN PLACE FIX SEAT AND MOTOR, ADJUST DRIVING DRIVING CHAIN TO IT'S PROPER LENGTH, FIX BRAKE AND THROTTLE CABLES THEN YOU ARE READY TO GO.

MINI VEHICULE PLANS

MINI-BIKE

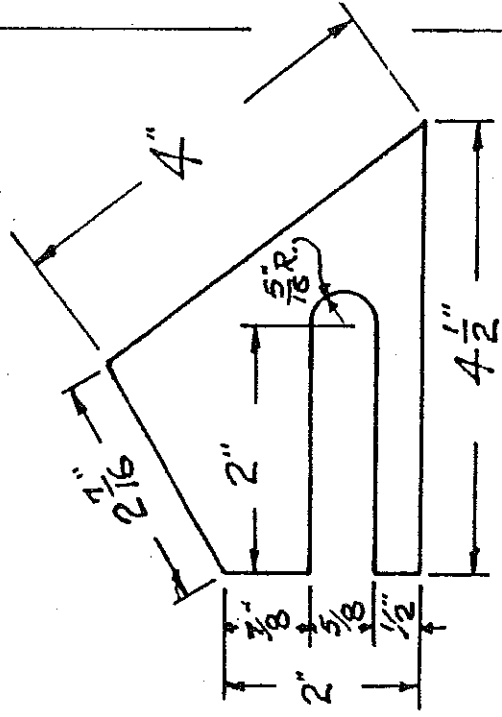
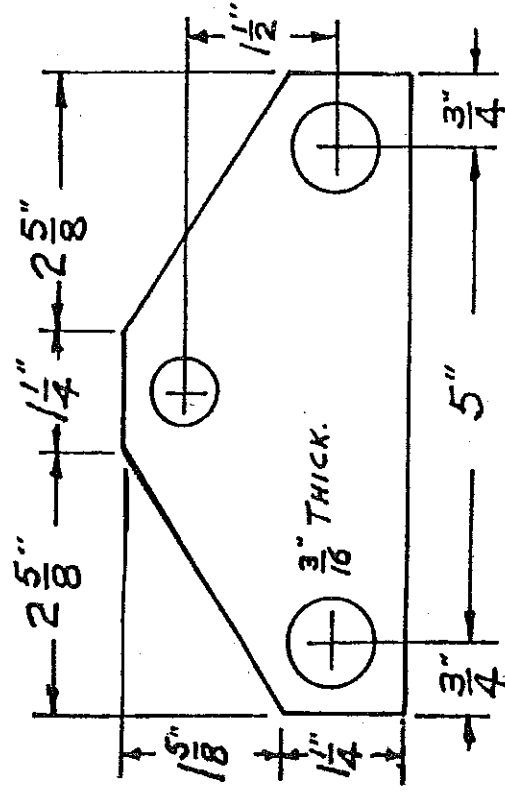
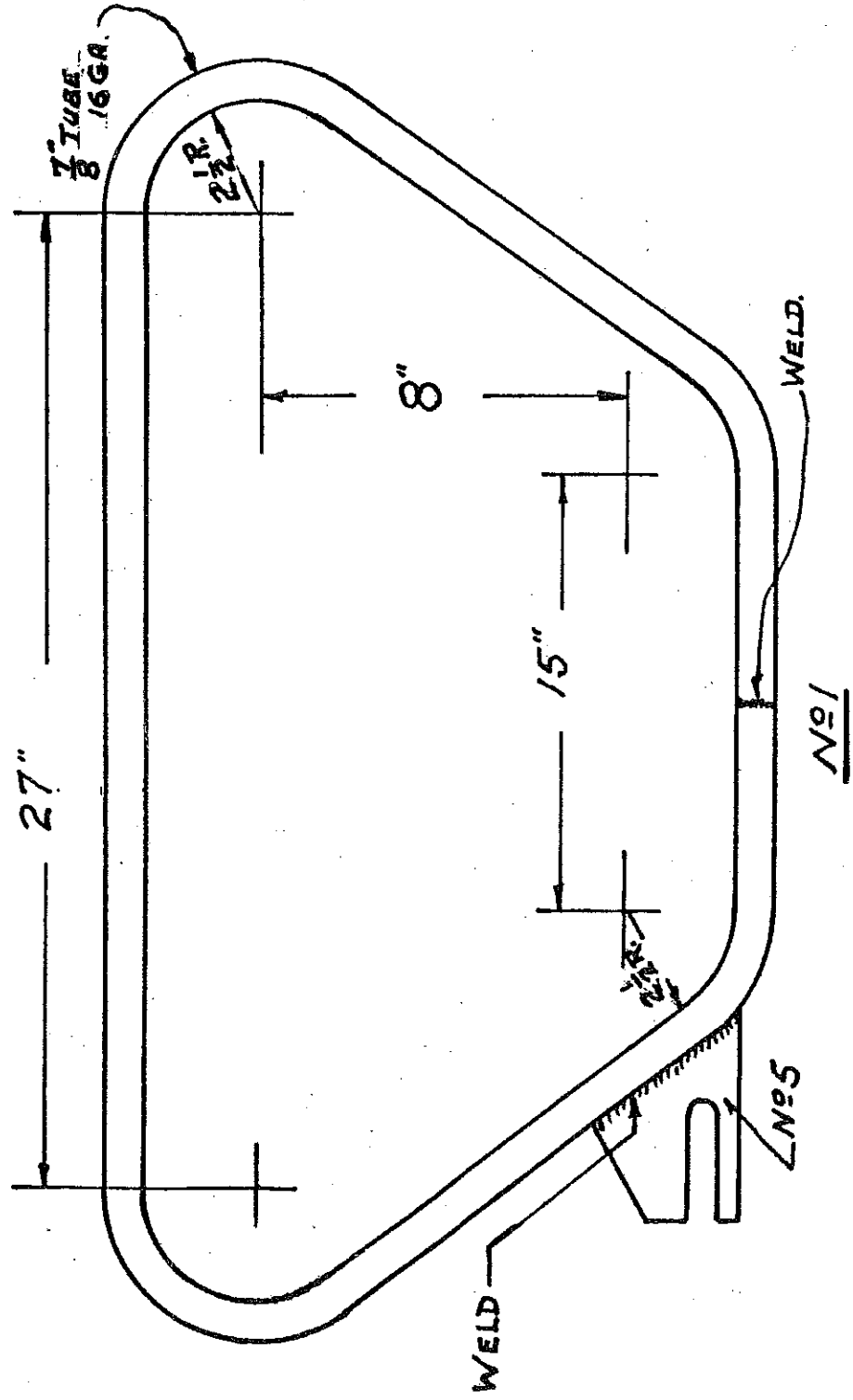
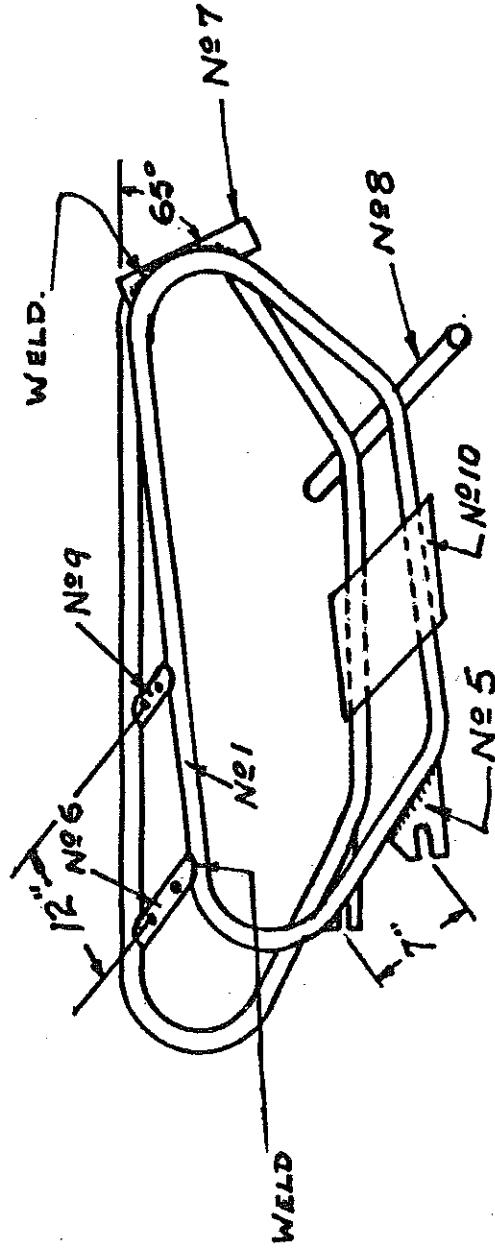
Plan No. 1



MINI VEHICLE PLANS

MINI-BIKE

Plan No. 2



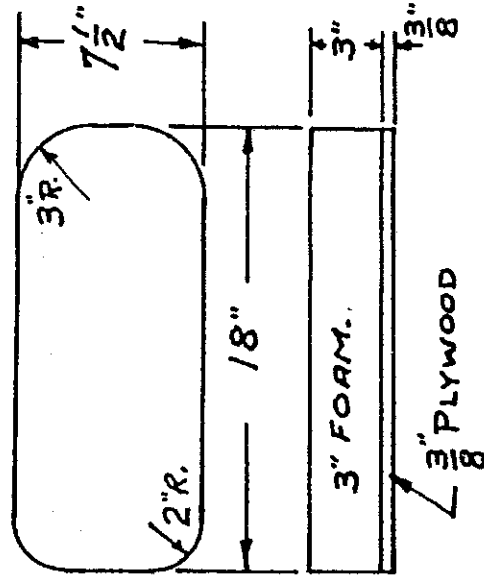
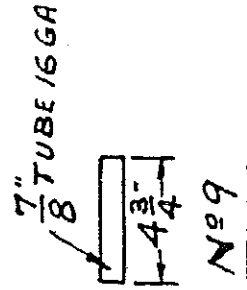
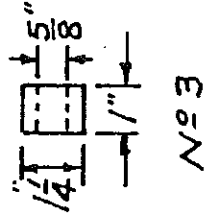
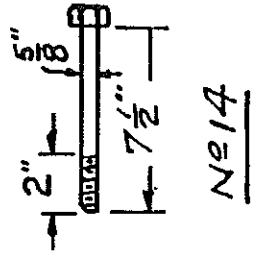
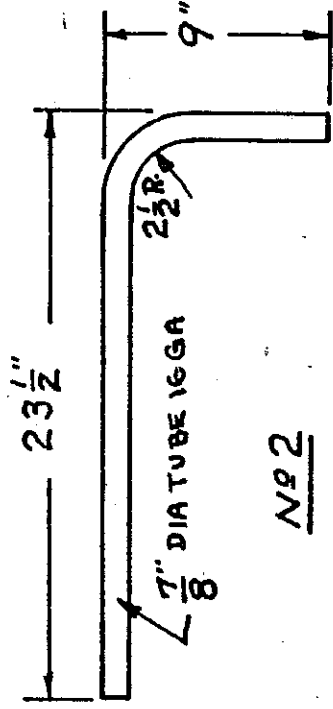
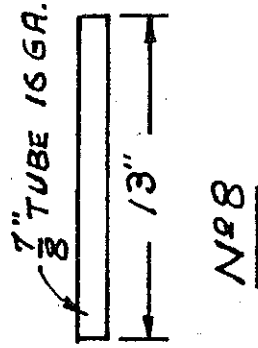
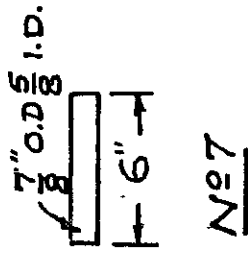
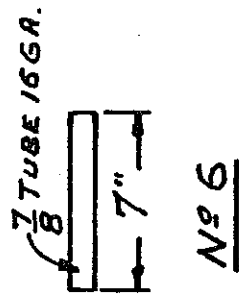
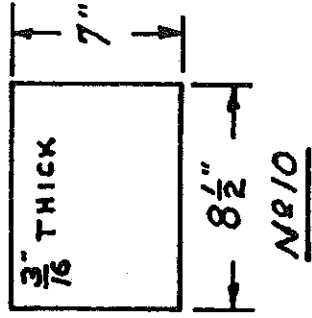
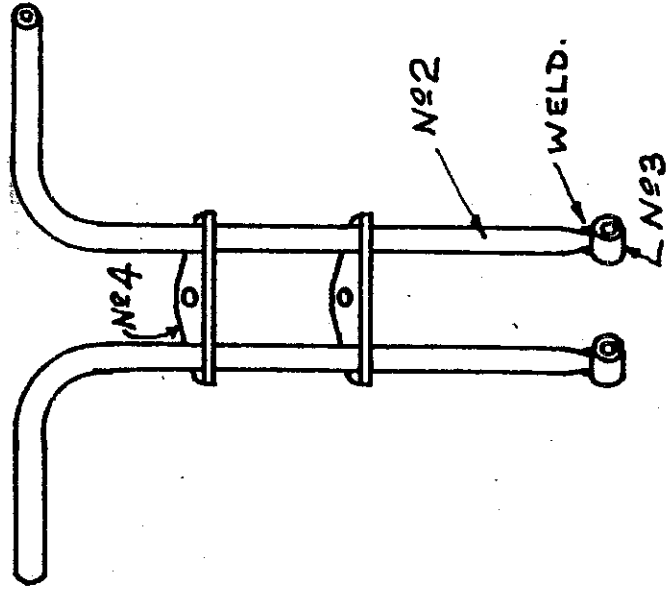
No 4

No 5

MINI VEHICULE PLANS

MINI-BIKE

Plan No. 3



MINI VEHICLE PLANS

MINI-BIKE PLANS

